

StepperPower™
The Power Supply for Stepping Motors
Series: STP



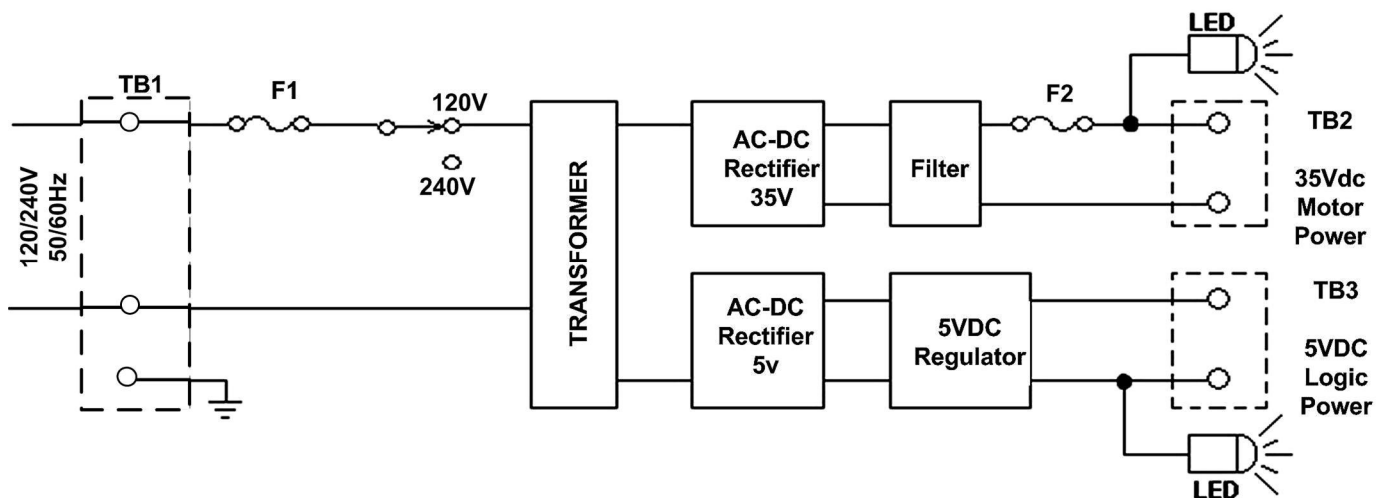
RoHS

- Fully compatible with Applied Motion Products (and other) stepping motor drivers
- Integral motor (35Vdc) and logic (5Vdc ± 5%) power
- Space saving compact modules provide mounting studs for motor drivers
- Dual 120/240V switch-selectable input voltage
- Power-on LEDs, screw terminal connections
- Ideal for use with A.M.P step motor drives 1335, 2035, 2035 O, 3535, 3535 O, 3540M or 3540MO.
- Safety Agency Approvals STP Series:
 - UL 1950, third edition, File #E181899.
 - CSA, C22.2 No.950, File #E181899.
 - CE Marked.



Description :

The STP series of power supplies provide unregulated DC voltage for motor power and tightly regulated 5Vdc power for logic circuitry. They are especially suitable for Applied Motion’s step motor drives model numbers 1335, 2035, 2035 O, 3535, 3535 O, 3540M or 3540MO. The PC board and transformer are assembled on L-shaped aluminum chassis with threaded (# 6-32) PEM nuts provided on the side for mounting drive module, thus making an integral power and driver unit. LED’s indicate the power-on status of the motor and logic outputs. Input and motor output are fuse protected to avoid damage due to short circuits. The 5V logic output is electronically protected for overload and short circuit. The input is easily set to 120V or 240V with a slide switch provided on the PC board.



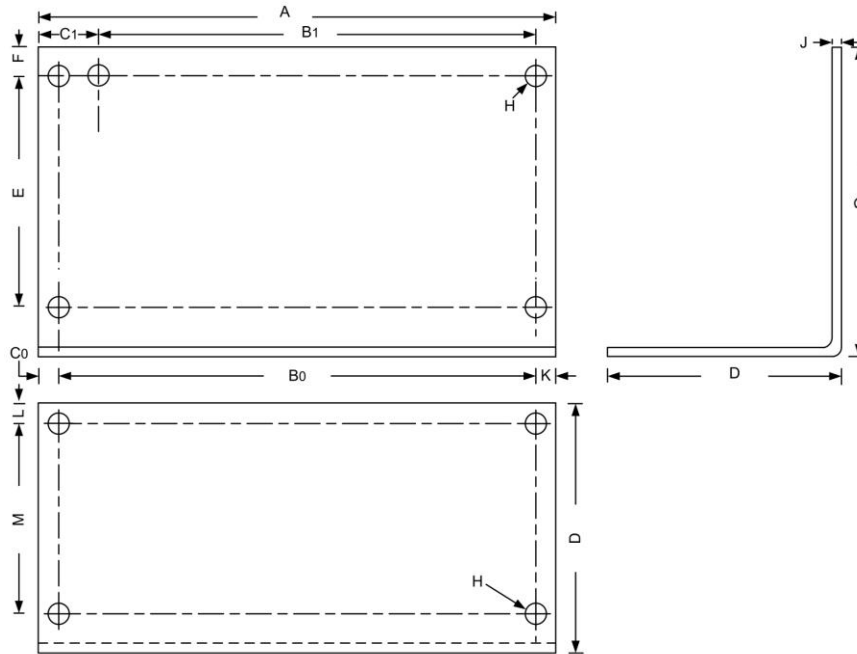
Specification :

Input Power: 120/240VAC ± 10%, 50/60Hz.
Switch-selectable. Factory set at 240V input.
Inrush Current: Estimated 12A at 120V and 15A at 240V.
Connections: Screw terminals
Storage Temperature: - 55°C to + 85°C.
Operating Temperature: 0 - 50°C at full rated load,
derate linearly 20% up to 70°C maximum.
Output:

Humidity: 95% Non-condensing relative humidity maximum.
Cooling Method: Natural convection; allow unrestricted air flow for optimum operation.
Mounting: 4 each 0.213"dia holes, use #8 or #10 screws; clear anodized chassis.
Agency Approvals: UL, CSA approved; CE marked.

Part Number	Motor Power	Logic Power (regulated, electronically overload/short circuit protected)
STP-35XXX2.5	35Vdc @ 2.5A Full Load (No Load 42Vdc)	5VDC ± 5% @ 500mA
STP-32XXX4	32Vdc @ 4.0A Full Load (No Load 42Vdc)	5VDC ± 5% @ 500mA
STP-35XXX5	35Vdc @ 5.0A Full Load (No Load 42Vdc)	5VDC ± 5% @ 500mA
STP-48XXX5	48Vdc @ 5.0A Full Load (No Load 58Vdc)	5VDC ± 5% @ 500mA
STP-48XXX10	48Vdc @ 10.0A Full Load (No Load 58Vdc)	5VDC ± 5% @ 500mA
STP-70XXX5	70Vdc @ 5.0A Full Load (No Load 87Vdc)	5VDC ± 5% @ 500mA

Dimension Drawing : (All dimensions in inches)



Model	A	B0	B1	C0	C1	D	E	F	G	H (dia. & No. of places)	J	K	L	M
STP-35AMP2.5	7.0	6.5	NA	0.25	NA	3.25	2.4	0.70	4.0	.213" 8 holes	0.125	0.25	0.25	2.4
STP-32AMP4	7.0	6.5	NA	0.25	NA	3.75	2.4	0.70	4.0	.213" 8 holes	0.125	0.25	0.25	2.4
STP-35AMP5	8.10	7.5	6.9	0.35	0.95	3.88	3.8	0.33	5.0	.20" 8 holes	0.125	0.25	0.35	3.03
STP-48AMP5	8.10	7.5	6.9	0.35	0.95	3.88	3.8	0.33	5.0	.20" 8 holes	0.125	0.25	0.35	3.03
STP-48AMP10	9.0	8.24	NA	0.41	NA	4.62	2.5	1.56	5.62	.281" 7 holes	0.125	0.35	0.35	3.77
STP-70AMP5	9.0	8.24	NA	0.41	NA	4.62	2.5	1.56	5.62	0.281" 7 holes	0.125	0.35	0.35	3.77